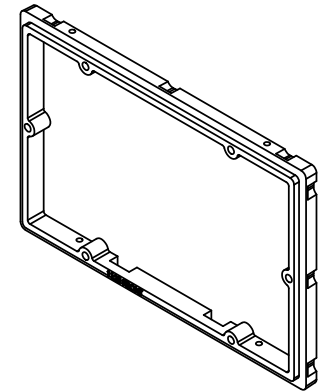
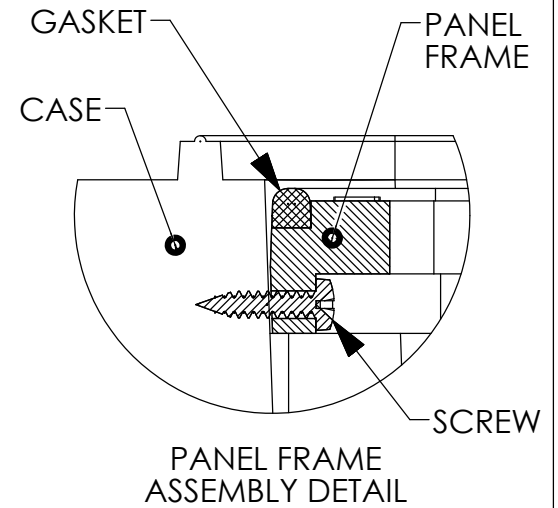
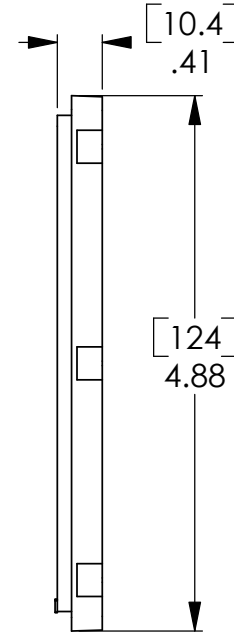
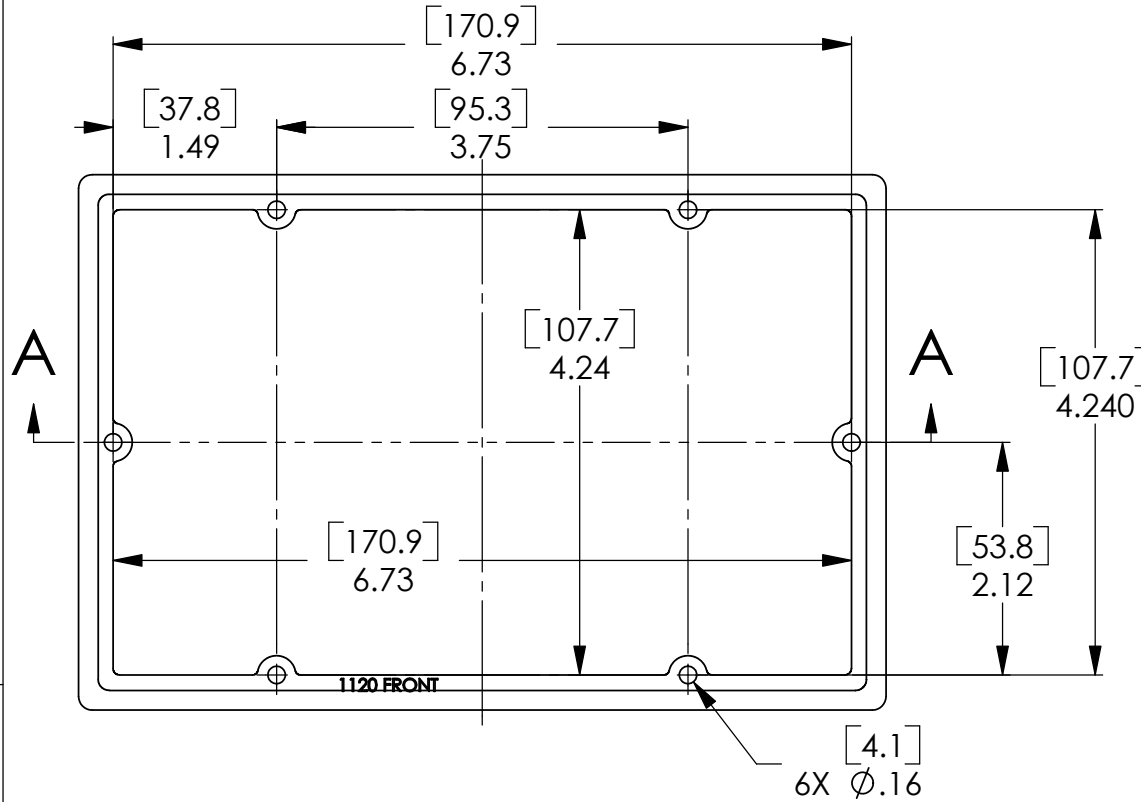


REVISIONS			
REV.	DESCRIPTION	DATE	APPR'VD
PR	PRODUCTION RELEASE SEE ECO 06-030	2/24/2006	BT



SECTION A-A

1. DIMENSIONS IN [] ARE MILLIMETERS
 NOTES: UNLESS OTHERWISE SPECIFIED.

TITLE 1120 PANEL FRAME INSTRUCTION SHEET		APPROVALS	DATE
		DRAWN	
DO NOT SCALE DRAWING		CHECK	
		APPR	
SIZE A	MATERIAL SHT 1 OF 1	DRAWG # 1123-313-000	REV PR