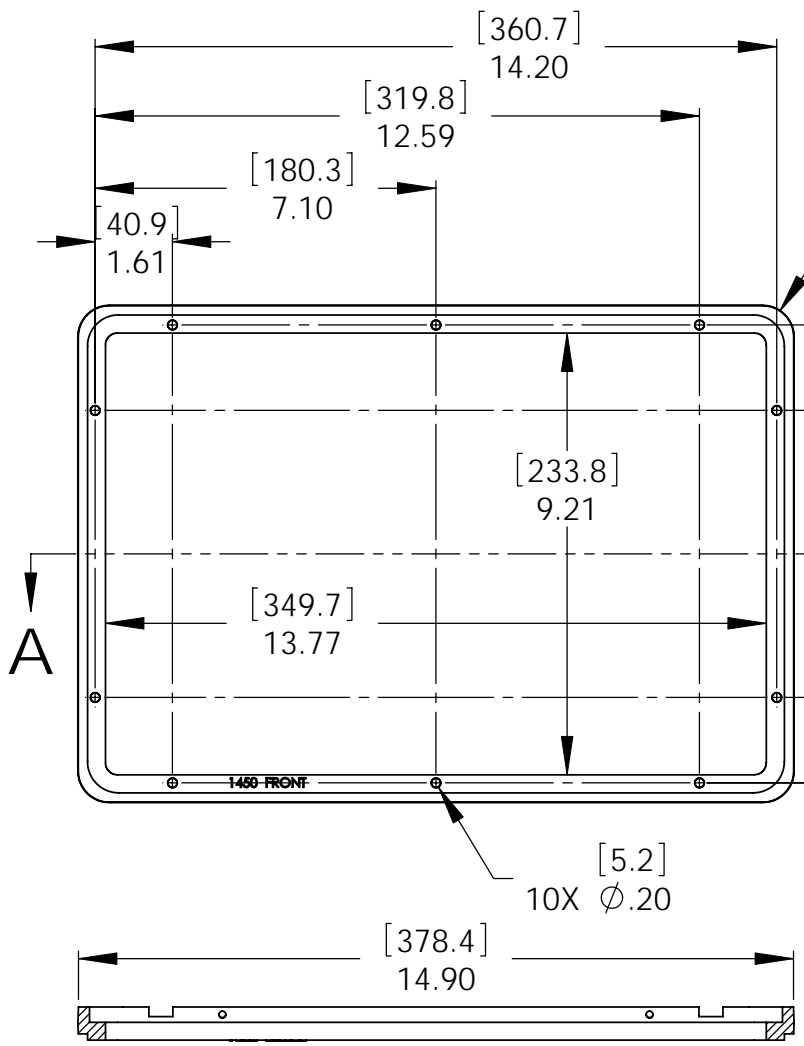


REVISIONS			
REV.	DESCRIPTION	DATE	APPRVD
PR	PRODUCTION RELEASE SEE ECO 06-030	2/24/2006	BT
A	RELOC MTG HOLES PER 08-060	4/16/2008	BT



4X [16.5] R.65

[17.5] .69

[242.3] 9.54

[197.1] 7.76

[45.2] 1.78

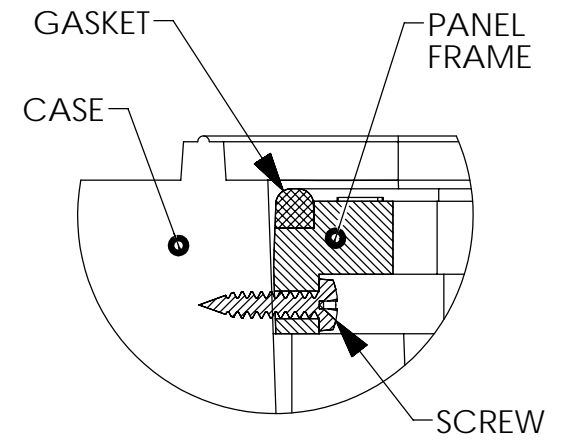
[233.8] 9.21

[349.7] 13.77

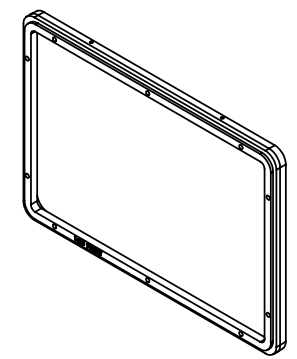
1450 FRONT

[5.2] 10X  $\phi$ .20

[378.4] 14.90



PANEL FRAME ASSEMBLY DETAIL



SECTION A-A  
SCALE 1 : 4

1. DIMENSIONS IN [ ] ARE IN MILLIMETERS  
NOTES: UNLESS OTHERWISE SPECIFIED.

DO NOT SCALE DRAWING		TITLE <b>1450 PANEL FRAME INSTRUCTION SHEET</b>		APPROVALS	DATE
				DRAWN	
				CHECK	
				APPR	
SIZE <b>A</b>	MATERIAL SHT 1 OF 1	DRAWG # SCALE	1453-314-000	REV <b>A</b>	