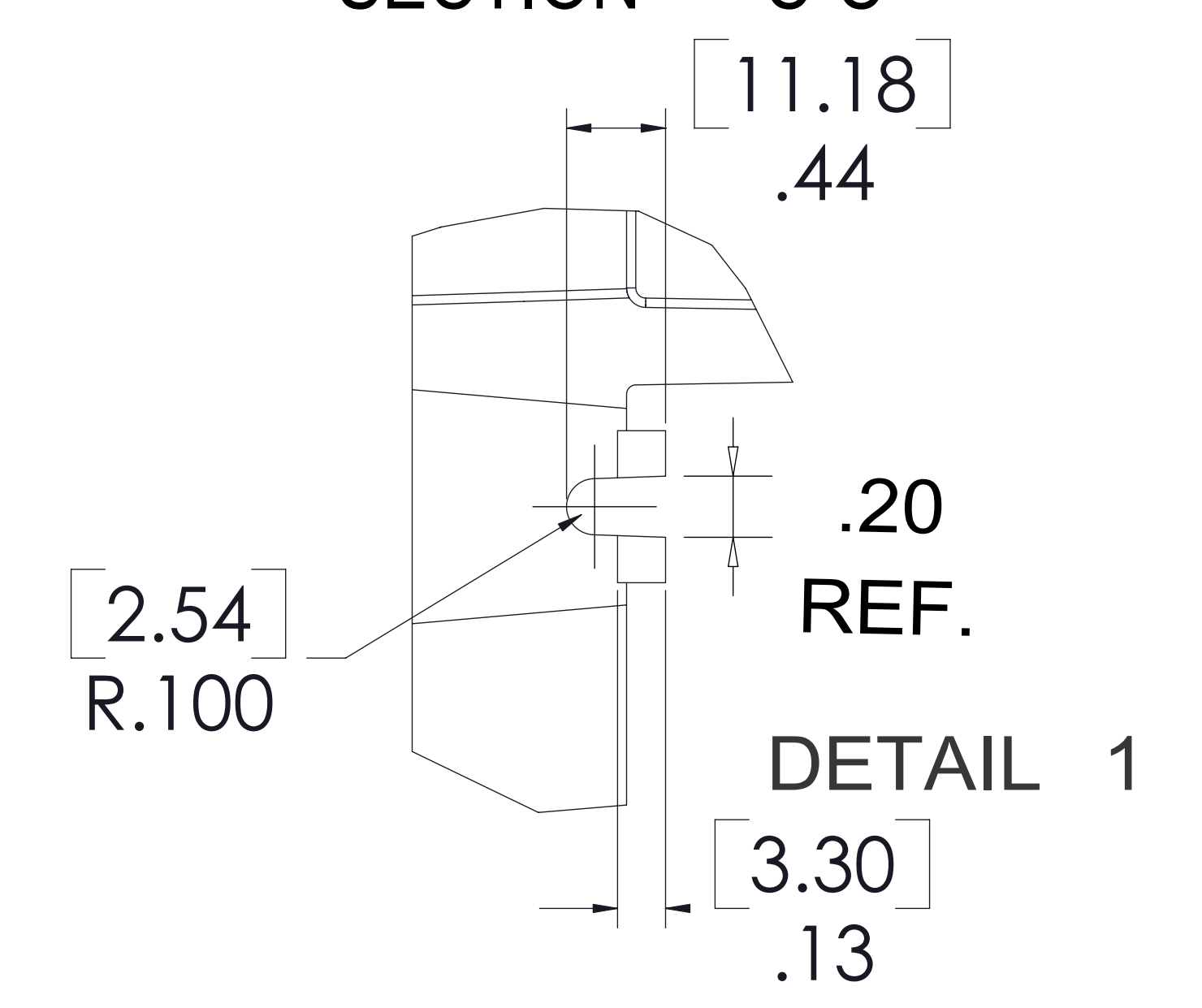
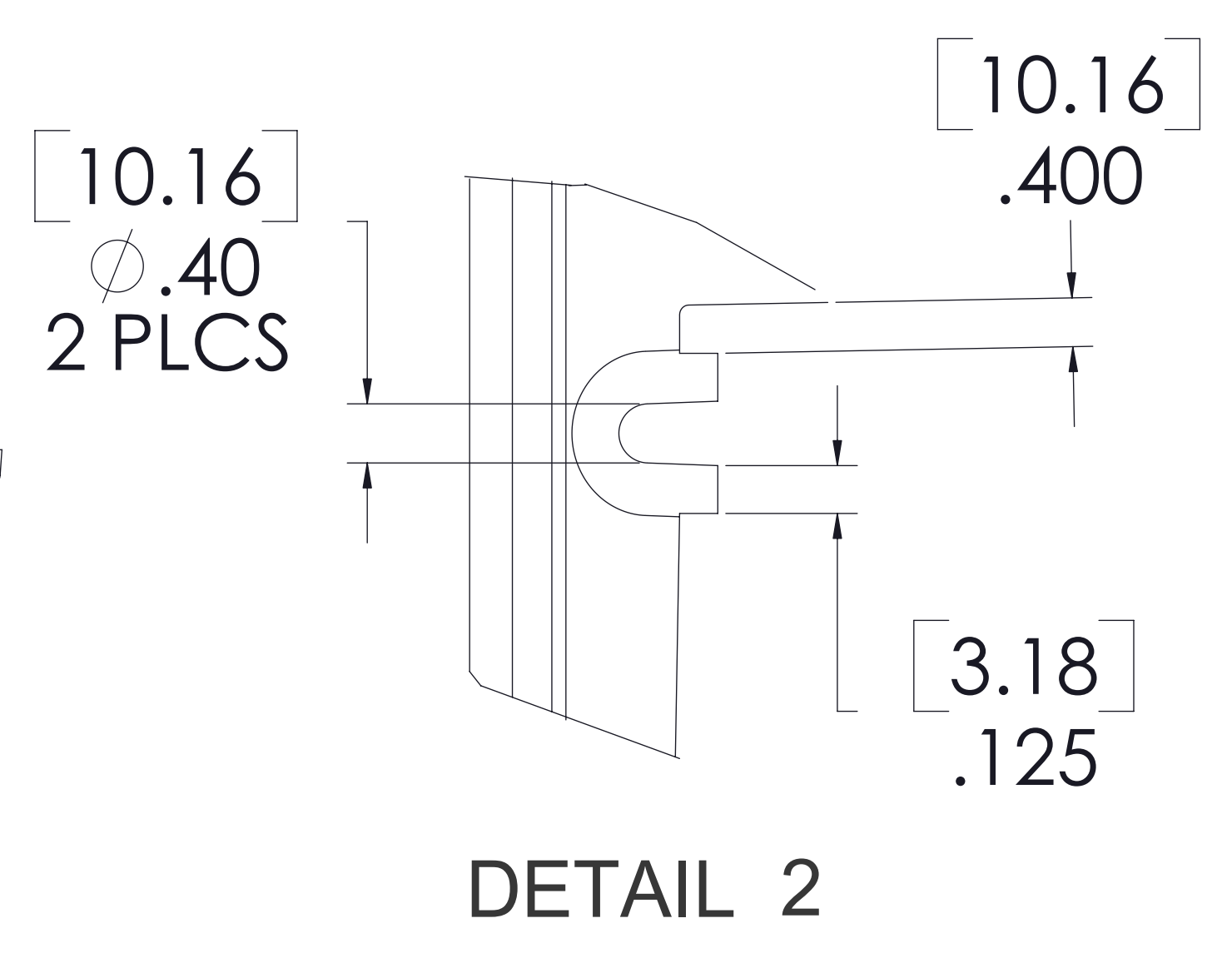
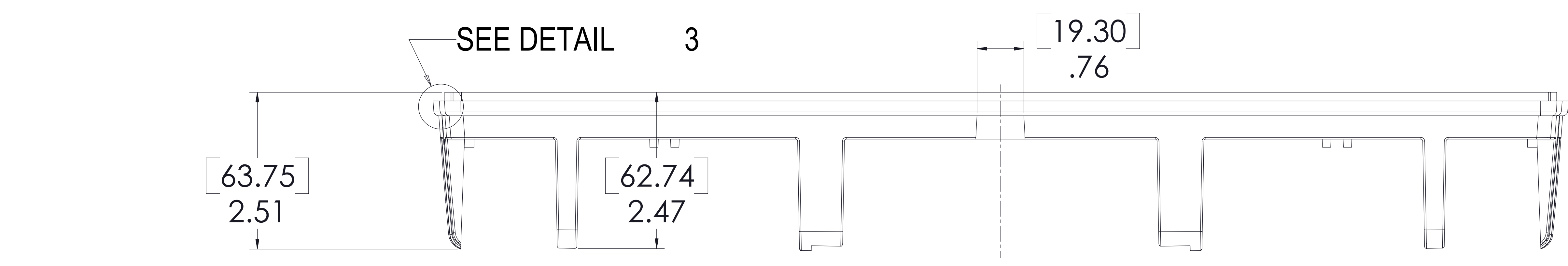
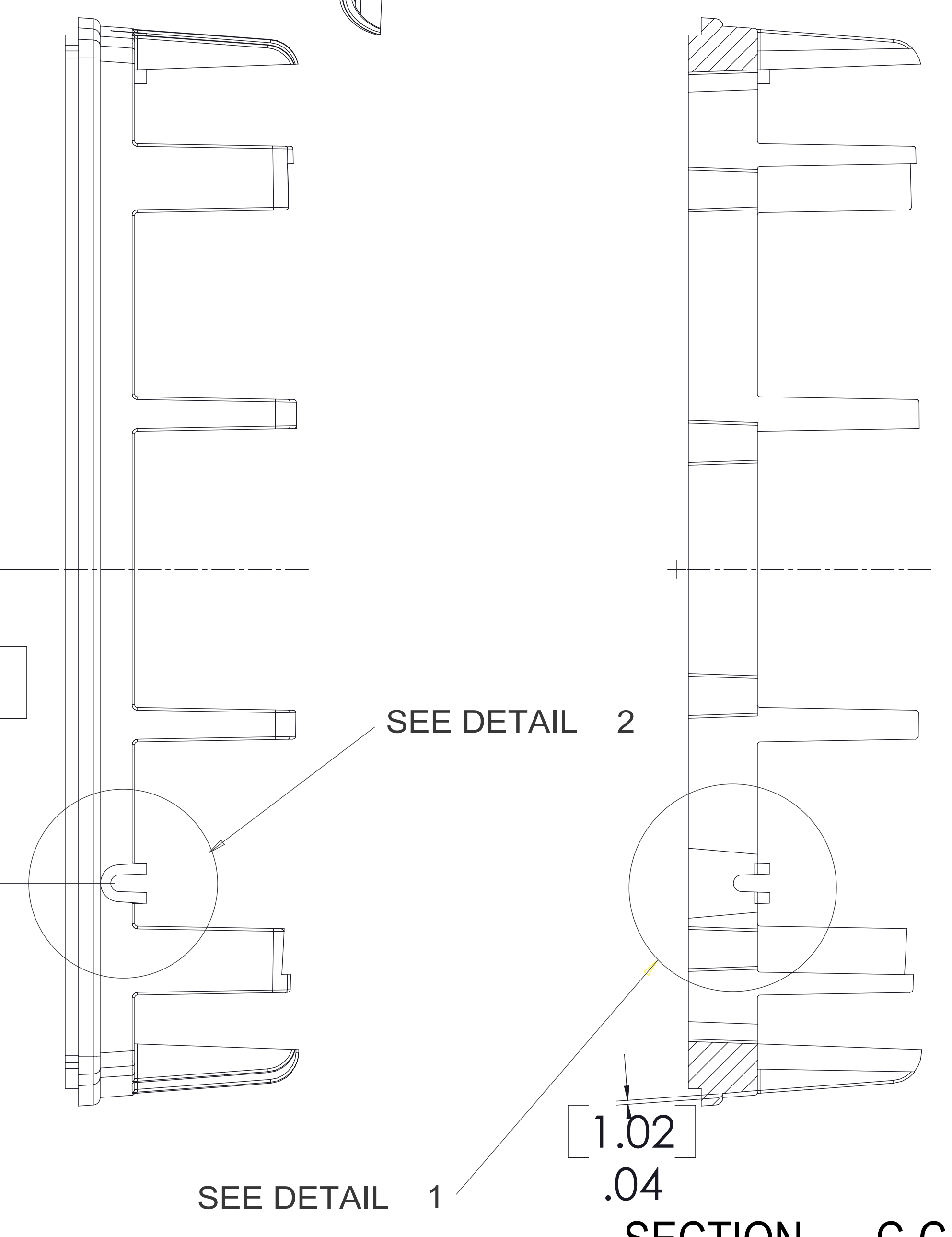
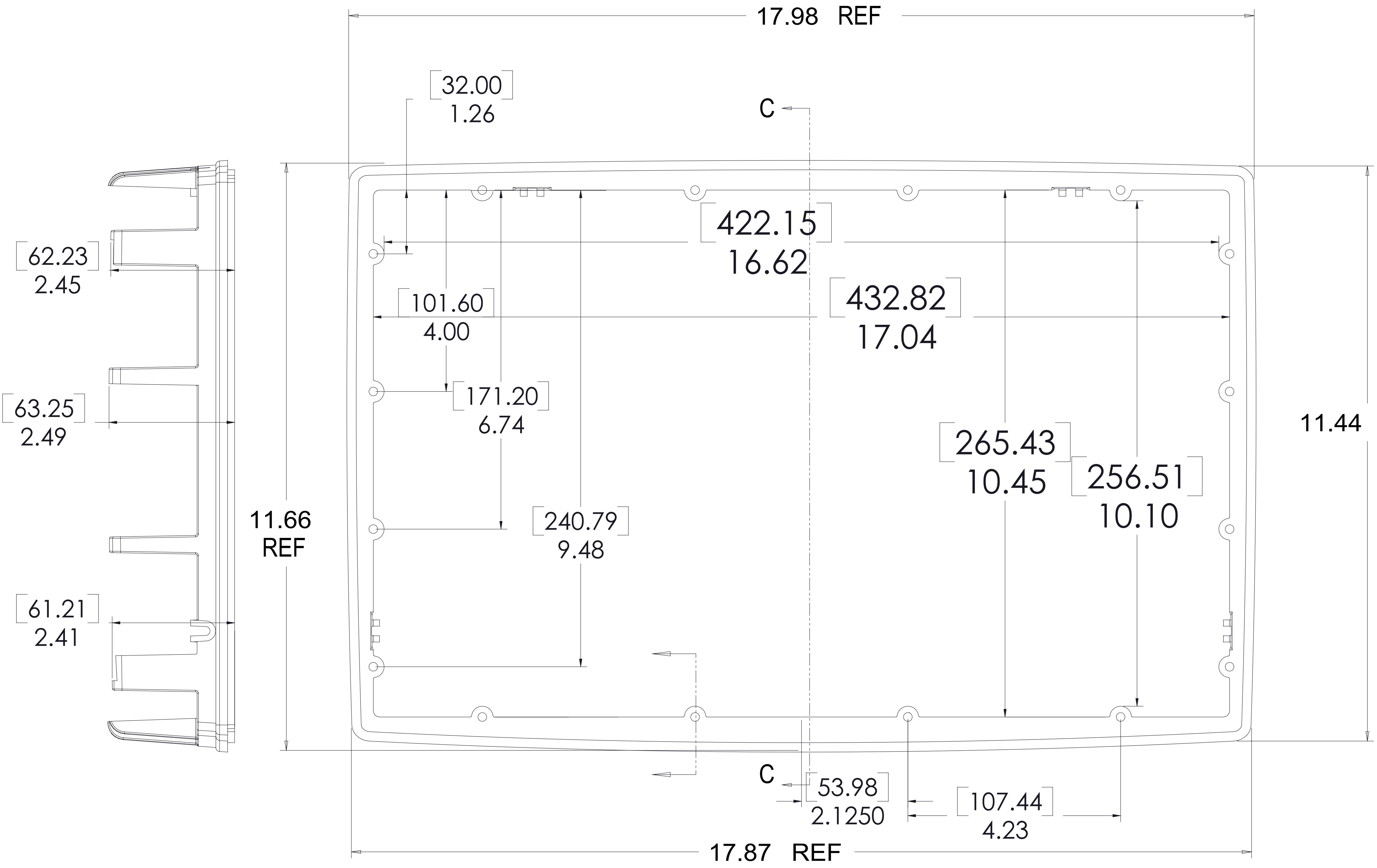
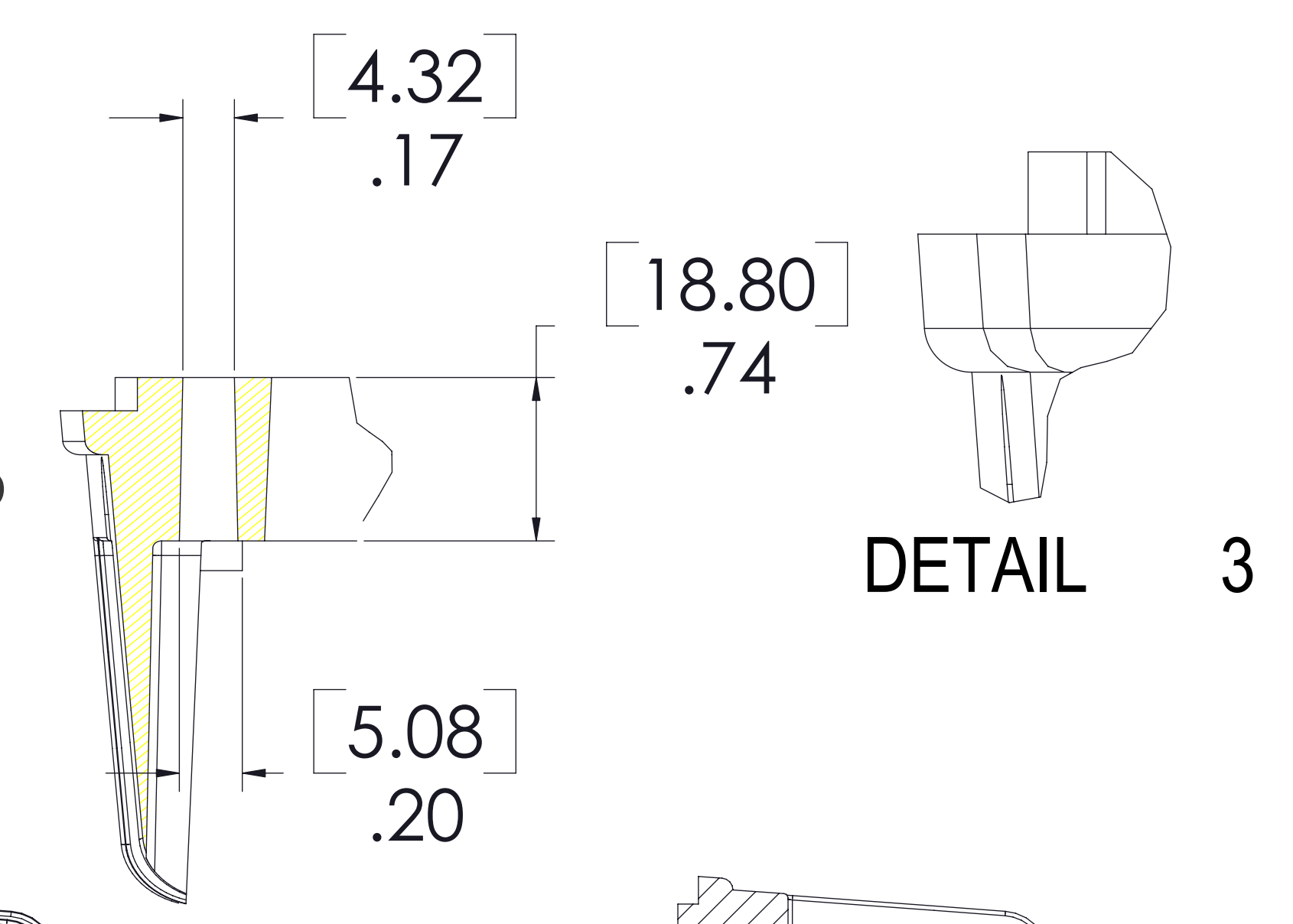
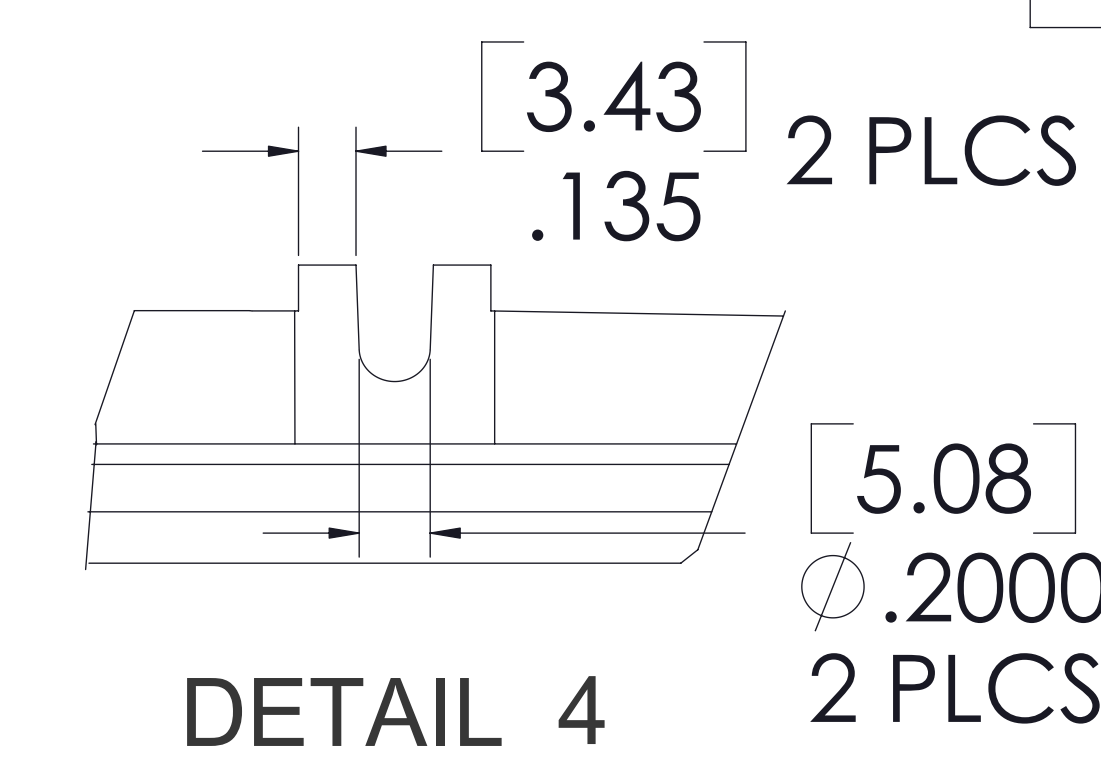
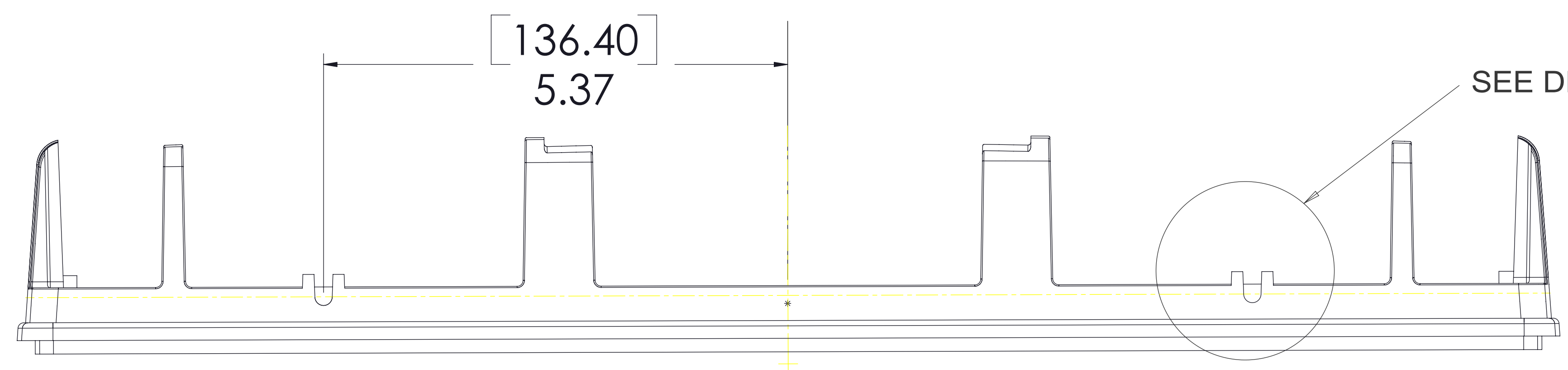


REVISIONS			
LTR	DESCRIPTION	DATE	APPROVED
PR	PRODUCTION RELEASE	10-24-00	



1.DIMENSIONS IN[ ] ARE IN MILLIMETERS.  
NOTES: UNLESS OTRHERWISE SPECIFIED

APPROVALS		DATE	PROTECTOR CASES	
DESIGN			23215 EARLY AVE., TORRANCE, CA 90505 (310) 328-4700	
CHECKED			TITLE	
APPROVED			MOUNT, PANEL FRAME	
			1490 CASE	
			SIZE	SCALE
			1493-945-110	REV
			DRAWING NO.	PR
DO NOT SCALE DRAWING			SHEET 1	OF 1