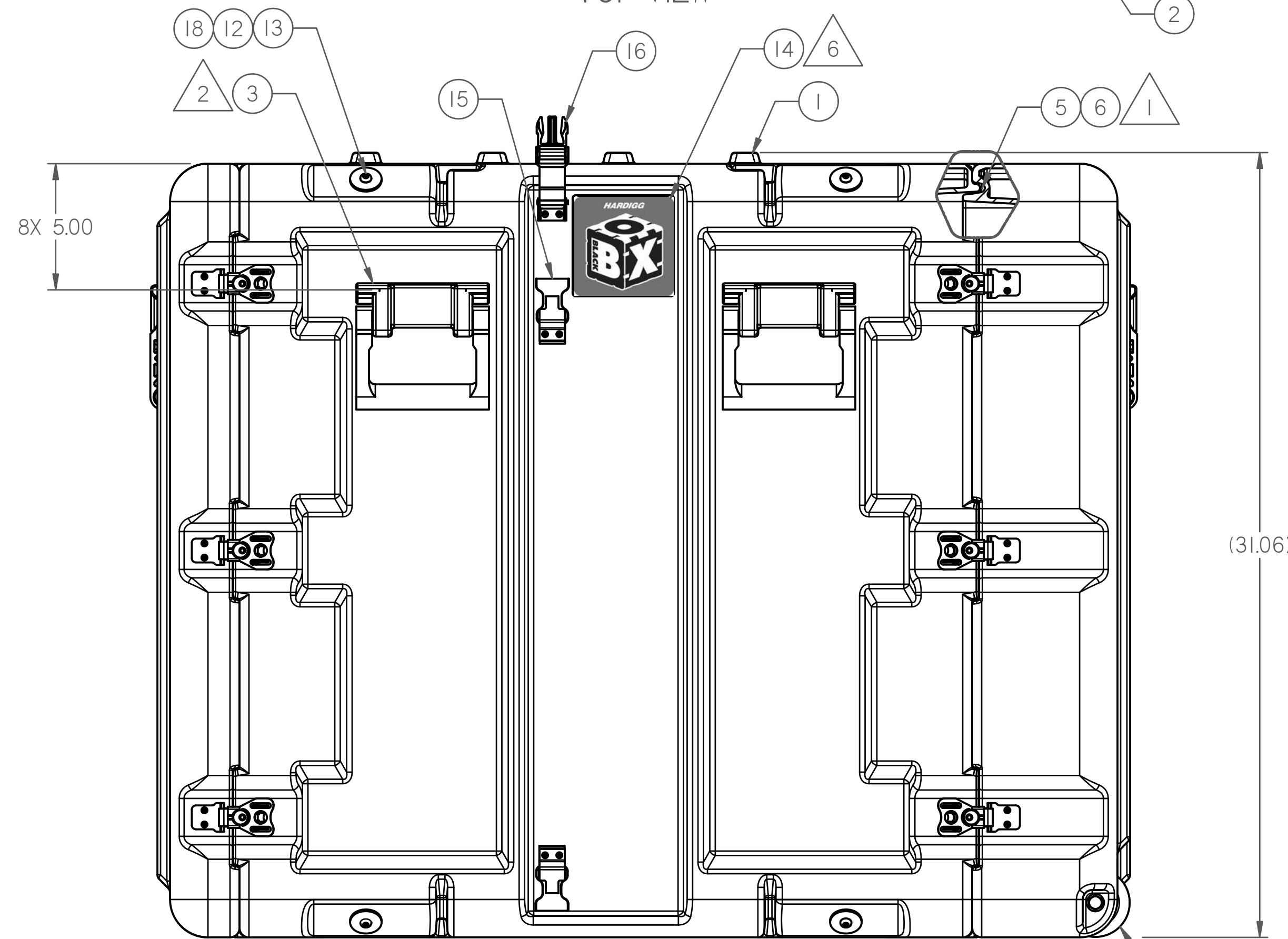
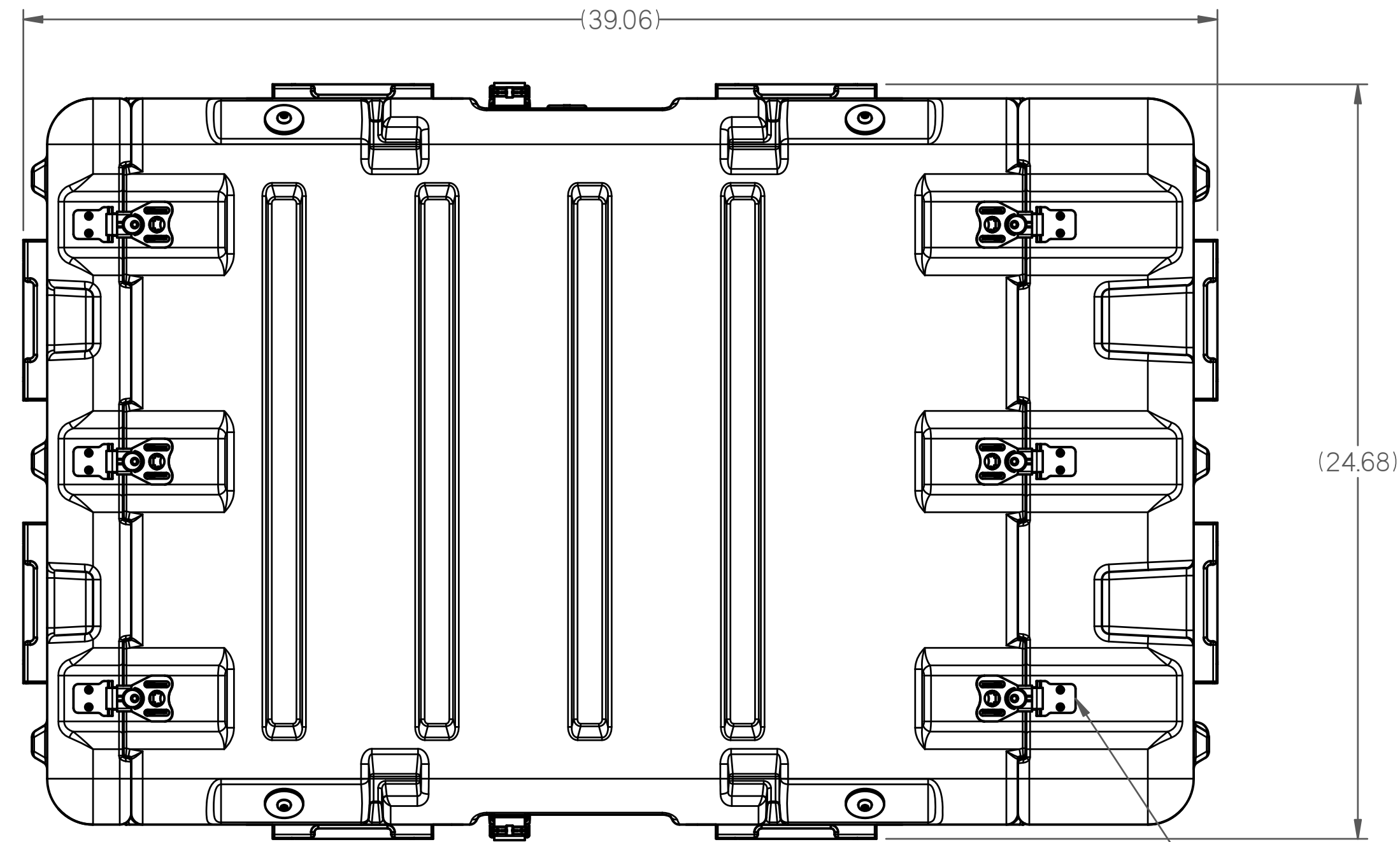


NOTES:

- 1 GASKET TO BE CLOSED LOOP
- 2 CENTER HANDLES IN HANDLEWELLS APPROXIMATELY AS SHOWN.
- 3 MOUNTING HOLE TO BE Ø1.06.
- 4 SHIM SHOCK MOUNTS FROM FRAME TO MOUNT WITH .38" THK SHIM.

- 5 THIS PART AND ALL OF ITS COMPONENTS MUST COMPLY WITH THE EUROPEAN PARLIAMENT DIRECTIVE 2002/95/EC ON THE RESTRICTED USE OF CERTAIN HAZARDOUS SUBSTANCES (ROHS). THE PARTS (INCLUDING PLATING), MUST NOT CONTAIN ANY OF THE FOLLOWING SUBSTANCES: LEAD, MERCURY, CADMIUM, HEXAVALENT CHROMIUM, POLY BROMINATED BIPHENYLS (PBB) OR POLYBROMINATED DIPHENYL ESTERS (PBDE).
- 6 CLEAN LABEL AREA WITH ISOPROPYL ALCOHOL & FLAME TREAT.



ITEM	DESCRIPTION	DWG NO. / PART NO.	QTY.	REVISION HISTORY					
				ZONE	REV	E.C.O.	DESCRIPTION	BY/DATE	APPROVED/DATE
1	CONTAINER ASSEMBLY, BLK-463	MFG-SR2128-2295W-463	1				A1- ITEM 11 QTY WAS 8. A2- DELETED ITEM 13. A3- ADDED NOTE 6. A4- PRV DIM WAS 5.00"	CHRIS HOPKINS 08MAR20	D. SPRAGUE 08MAR21
2	KIT, CATCH & STRIKE, LGE WING, W/SPRING, SSB	MFG-00005-03	24		A	039207			
3	KIT, HANDLE, INJ MOLDED, LARGE (INT MT)	MFG-00031	8		B	039273	ADDED ITEM 13 CHANGED ITEM 11 QTY WAS 16	D. SPRAGUE 08APR03	
4	KIT, (I) PRV & LABEL	MFG-00053-01	1						
5	RTV, CLR, ADHESIVE SEALANT	RTV, GE 108	A/R						
6	GASKET, SILICONE	P021-0473	202 "						
7	KIT, LID HANGER, SWIVEL, RIGHT HAND	MFG-00136-02	2						
8	KIT, LID HANGER, SWIVEL, LEFT HAND	MFG-00136-01	2						
9	SHOCK MOUNT	P67-73	8						
10	FRAME ASSY, 24", 14U	PI24-0010-24-14	1						
11	SCR, BTNHD,SOC, SSB	1/4-20 X .62"	8						
12	WSHR,FABCO,SSB	.264X1.25	8						
13	SCR, BTNHD,SOC, SSB	1/4-20 X .50"	8						
14	LABEL, MIDSECTION, BLACK BOX	PI24-0014	2						
15	KIT, RECEIVER, COUPLING CATCH	MFG-00140	4						
16	KIT, COUPLING CATCH	MFG-00141	2						
17	SR LID WHEEL ASSEMBLY	MFG-00143	2						
18	ADHESIVE, LOCTITE	242	A/R						

CUST:
UNIT:
CONTRACT NO.

HARDIGG IND
BLACK BOX - 14U

COMPUTER CONTROLLED DOCUMENT
MANUAL CHANGES NOT ALLOWED

NEXT ASSY.	FINAL	SCALE	1/4
TOLERANCE	UNLESS OTHERWISE SPECIFIED	± .XX	± .XXX
DR.	D. SPRAGUE	DATE	07-11-09
ENGR.	D. SPRAGUE	DATE	07-11-09
CHKD.	C. HOPKINS	DATE	08-02-08
APVD.	C. HOPKINS	DATE	08-02-08
TITLE			
CNTNR ASSY, BLACK BOX, 14U			
SIZE	CAGE CODE	DWG NO.	REV
D	11214	PI24-0100-14-02	B
PROJ. NO.	PI24	SHEET 1 OF 2	

This drawing and all copies and the design and data shown are the property of HARDIGG INDUSTRIES, INC. So. Deerfield, MA USA and include proprietary information. The borrower by receipt or retention of the drawing agrees that, except as expressly authorized in writing by HARDIGG INDUSTRIES, INC. it will (1) not use the drawing or any copy of the design or data shown (2) not reproduce, copy, excerpt, exhibit or distribute the drawing or any copy for use by others and (3) upon demand return the drawing, all copies and all material copies therefrom.

HARDIGG® **HARDIGG**® INDUSTRIES, INC.
South Deerfield, Massachusetts
01373 USA

DWG NO. PI24-0100-14-02
SH. OF 2
REV B

